



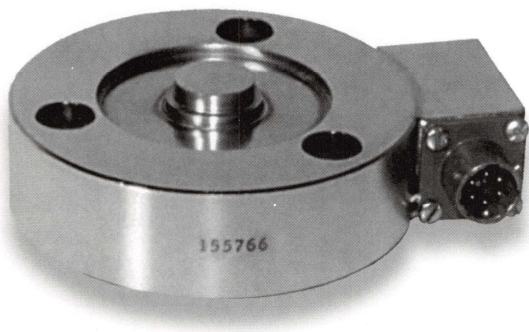
*"a preferred name in load cell technology"*

**MODEL 833 / SS833**

## LOW PROFILE COMPRESSION LOAD CELL

### FEATURES:

- ADVANCED SHEAR WEB DESIGN
- ALLOY STEEL, STAINLESS STEEL, ALUMINUM
- N.I.S.T. TRACEABLE CALIBRATION
- HERMETICALLY SEALED, IP67
- FATIGUE RATING OF  $(1 \times 10^7)$  CYCLES
- 150% SAFE LOAD
- 20 FEET OF CABLE OR M.S. CONNECTOR



### DESCRIPTION:

THIS PRECISION LOAD TRANSDUCER USES THE LATEST IN SENSOR TECHNOLOGY. AVAILABLE IN ALLOY STEEL, STAINLESS STEEL OR ALUMINUM, SYSTEM ENGINEERS CAN SELECT THE NATURAL FREQUENCY FOR OPTIMUM SYSTEM ACCURACY.

THE PURITY AND THE STRENGTH OF THE *STAINLESS STEEL* QUALIFIES THIS CELL IN THE MOST DEMANDING APPLICATIONS WITH THE ASSURANCE OF HIGH ACCURACY AND LONG LIFE STABILITY.

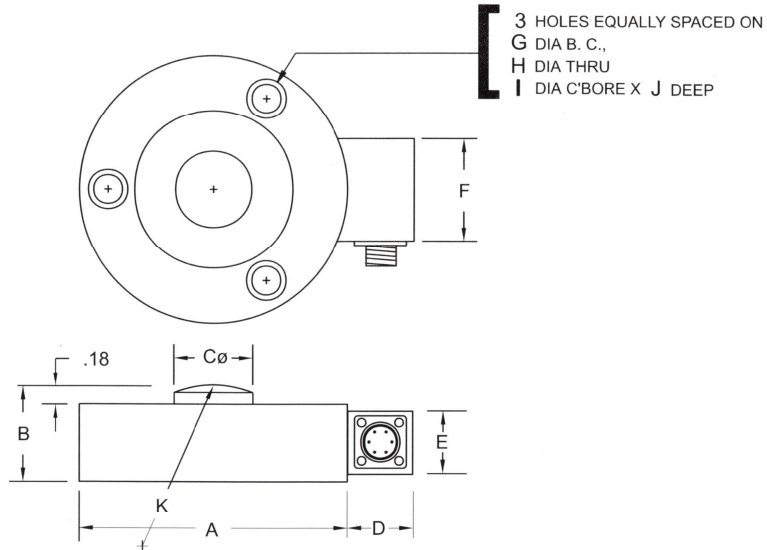
## SPECIFICATIONS

STANDARD CAPACITIES:	1K, 2K, 3K, 4K, 5K, 7.5K, 10K, 15K, 20K, 30K, 50K, 75K, 100K, 150K, 200K, 300K, 400K LBS.
EXCITATION VOLTAGE:	10 VDC MAXIMUM 15VDC
RATED OUTPUT:	3.0 MV/V OR 4.0 MV/V (NOMINAL)
NON-LINEARITY:	± 0.1% F.S.O. (FULL SCALE OUTPUT)
HYSTERESIS:	± 0.1% F.S.O.
NON-REPEATABILITY:	± 0.03% F.S.O.
ZERO BALANCE:	± 1.0% F.S.O.
BRIDGE RESISTANCE	
INPUT:	350 OHMS NOMINAL
OUTPUT:	350 OHMS, + 3.5
INSULATION RESISTANCE:	5000 MEGOHMS
SAFE OVERLOAD:	150% OF RATED CAPACITY
ALLOWABLE SIDE LOAD:	30% LOAD CAPACITY
ALLOWABLE BENDING FORCE:	25% LOAD CAPACITY
ALLOWABLE TORQUE:	25% LOAD CAPACITY
DEFLECTION:	0.003"
TEMPERATURE:	
COMPENSATED RANGE:	0 TO 150° F
OPERATING:	-65° TO +250° F
EFFECT ON OUTPUT:	<0.002% F.S.O./° F
EFFECT ON ZERO:	<0.002% F.S.O./° F
MATERIAL:	STAINLESS STEEL, ALLOY STEEL, ALUMINUM
CABLE LENGTH:	20FEET



## DIMENSIONS

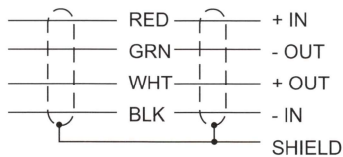
VARIOUS HOLE PATTERNS  
AVAILABLE FOR OTHER  
POPULAR MODELS.



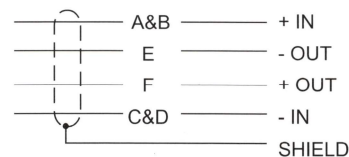
CAPACITY	DASH #	A DIA.	B	C	D	E	F	G DIA.	H DIA.	I DIA.	J DP.	K Radius
1K, 2K, 3K, 4K, 5K	- 1	3.50	1.18	0.69	0.82	0.75	1.25	2.625	0.328	0.485	0.34	2.5
7.5K, 10K, 15K, 20K, 30K, 50K, 75K, 100K	- 2	4.50	2.00	1.50	1.25	1.50	2.00	3.790	0.390	0.578	0.40	6.0
150K, 200K	- 3	5.50	2.18	2.00	1.25	1.50	2.00	4.812	0.390	0.578	0.40	17.0
300K	- 4	7.00	2.68	2.50	1.25	1.50	2.00	6.000	0.390	0.578	0.40	17.0
400K	- 5	7.50	2.68	2.50	1.25	1.50	2.00	6.750	0.390	0.578	0.40	17.0

## ELECTRICAL TERMINATION

### CABLE COMPRESSION POSITIVE



### CONNECTOR COMPRESSION POSITIVE

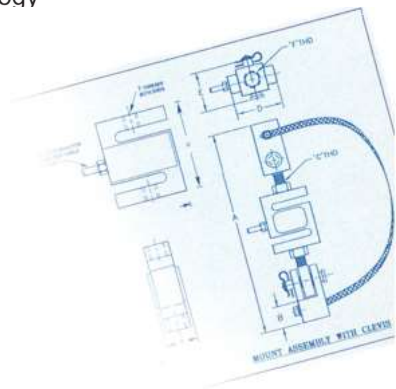


Artech's calibration is traceable to the National Institute of Standards Technology (N.I.S.T.). Each sensor is thoroughly tested and is calibrated to meet N.I.S.T. Handbook 44.

Represented by:



1966 Keats Drive, Riverside, CA 92501



## ORDER INFORMATION

- ◆ ARTECH is dedicated to maintaining adequate inventories of its Load Cells to provide the best service in the industry.
- ◆ Order by the model number and indicate the capacity required.
- ◆ Custom services such as matched load cell outputs, special threading, and custom calibrations are available on an optional basis at an extra cost.

**Let us know what you need... we listen!**  
**QUALITY • PERFORMANCE • SERVICE**

• (951) 276-3331 • (800) 654-8181 • Fax: (951) 276-4556 •  
Email: [info@artechindustriesinc.com](mailto:info@artechindustriesinc.com) • [www.artechindustriesinc.com](http://www.artechindustriesinc.com)