



"a preferred name in load cell technology"

Model 90510/90515



Hermetically Sealed Low Capacity Tension or Compression Canister Load Cell

FEATURES:

- 100 to 3K pounds capacities
- Hermetically Sealed
- Optional Stainless Steel Case
- Optional Dual Bridge
- 2mv or 3mv Outputs available
- Factory Mutual (F.M.) Approved
- Exceeds NIST H-44 requirements †

DESCRIPTION:

The Model 90510 is a true hermetically sealed load cell. Although a canister, it uses the dual guided cantilever principle for a high degree of linearity and repeatability. This cell is used in harsh environments where it may be exposed to water and other contaminants. Typical applications include batching systems, tank/hopper weighing and scale conversions.

PERFORMANCE SPECIFICATIONS

Standard Capacities (lbs.):	100, 200, 300, 500, 750, 1K, 2K, 3K
Excitation Voltage:	10VDC - Maximum 15VDC
Rated Output:	2 mv/v \pm .1% (90510) 3 mv/v \pm .1% (90515)
Combined Error:	< 0.05% FSO (Full Scale Output)
Zero Balance:	\pm 1.0% FSO
Bridge Resistance:	350 ohms \pm 3.5 ohms
Safe Overload:	150% of Rated Capacity
Safe Side Load:	10%
Temperature:	
Compensated Range:	-10° C to 40° C
Effect on Output:	< 0.0008% FSO/5 deg. C
Effect on Zero:	< 0.0050% FSO/5 deg. C (100-300 lbs.) < 0.0015% FSO/5 deg. C (500-3K lbs.)
Case:	Mild Steel
Finish:	Blue Epoxy Paint

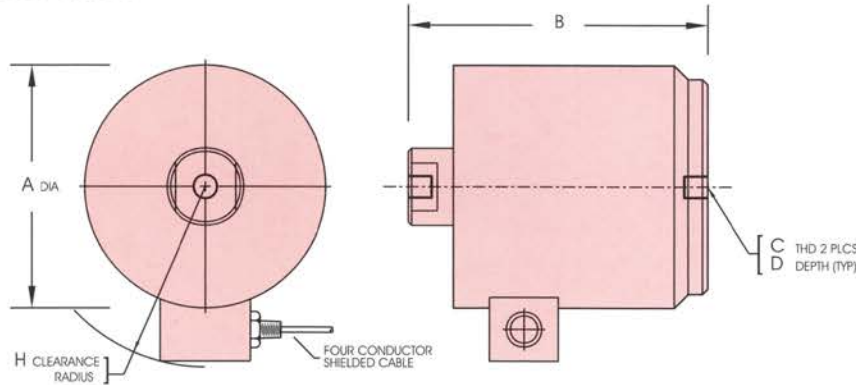


APPROVED

Model 90510/90515

CAPACITY LBS.	A	B	C THREAD	D	H CLEARANCE RADIUS	WEIGHT (LBS.)
*100 - 300	2.82	3.38	3/8-24UNF-2B	0.40	3.00	3.0
500 - 1K	3.53	4.56	1/2-20UNF-2B	0.56	3.50	6.0
2K - 3K	4.03	5.00	1/2-20UNF-2B	0.56	3.80	8.0
5K - 10K	3.50	5.94	1-14UNF-2B	1.25	3.50	10.0

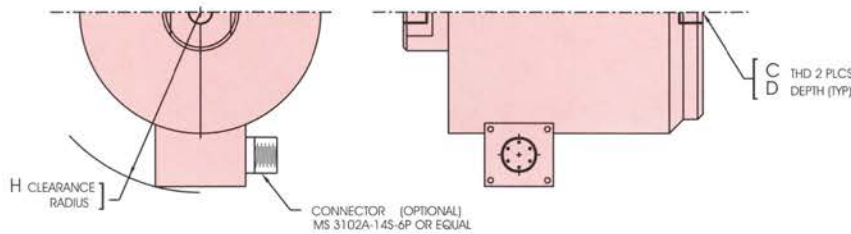
WITH CABLE



WITH CABLE ELECTRICAL TERMINATION

- INPUT OUTPUT SHIELD
- RED (+) GREEN (+)
- BLACK (-) WHITE (-)
- TENSION POSITIVE**

WITH CONNECTOR



WITH CONNECTOR ELECTRICAL TERMINATION

- A — + INPUT
- B — + OUTPUT
- C — - OUTPUT
- D — - INPUT
- E — - SENSE
- F — + SENSE
- TENSION POSITIVE**

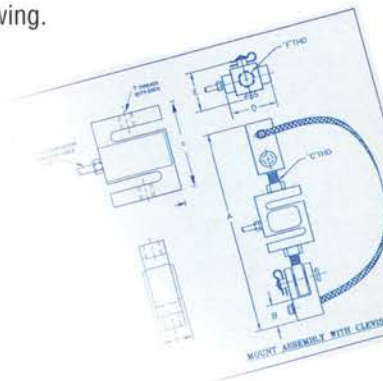
* Can be sensitive to barometric pressure changes, consult factory.

† Factory Mutual Systems approved as intrinsically safe when installed per F.M. approved installation drawing. Contact ARTECH sales department for details.

Represented by:



1966 Keats Drive, Riverside, CA 92501



ORDER INFORMATION

- ◆ **ARTECH** is dedicated to maintaining adequate inventories of its Load Cells to provide the best service in the industry.
- ◆ Order by the model number and indicate the capacity required.

- ◆ Custom services such as matched load cell outputs, special threading, and custom calibrations are available on an optional basis at an extra cost.

Let us know what you need... we listen!
QUALITY • PERFORMANCE • SERVICE

(951) 276-3331 • (800) 654-8181 • Fax: (951) 276-4556
 Email: info@artechindustriesinc.com • www.artechindustriesinc.com