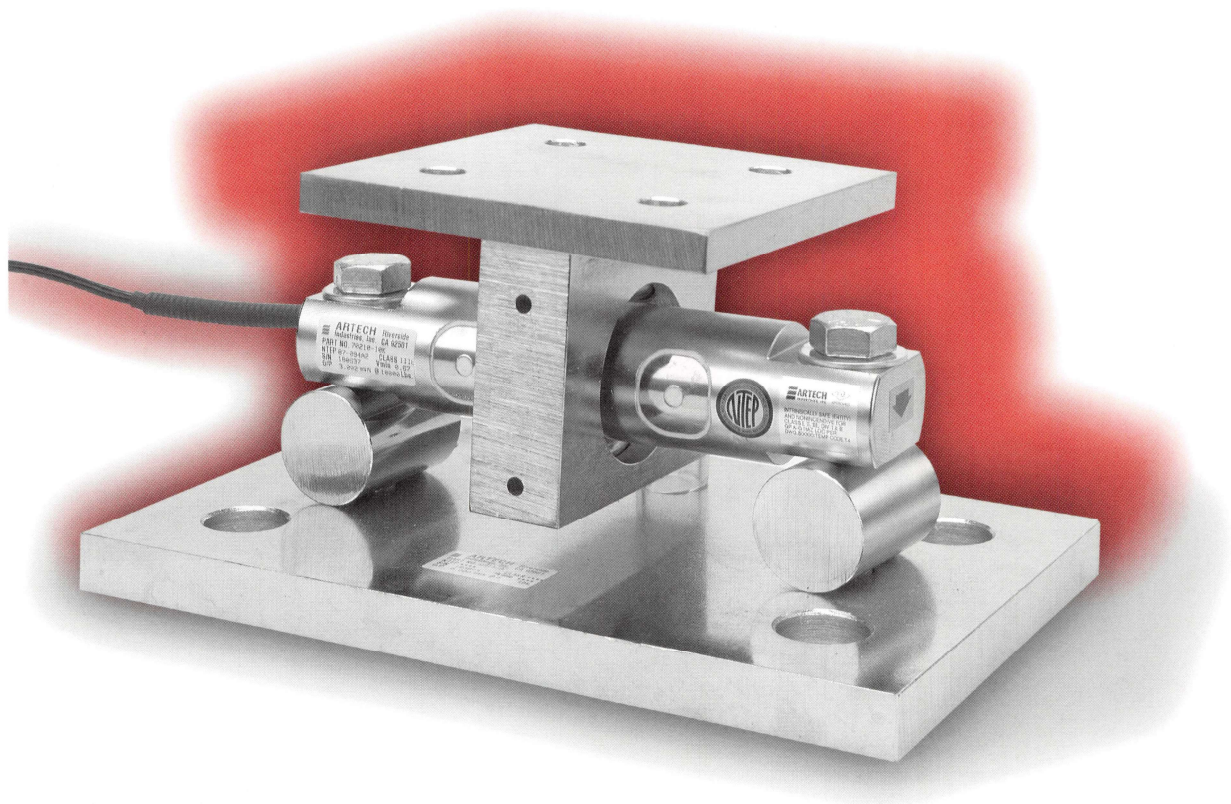




"a preferred name in load cell technology"

Model WM-II



Designed To Utilize Double Ended Beams for Tank Weighing

FEATURES:

- 5k to 150k pound capacities
- Available in stainless steel
- Eliminates check rods in most applications
- Mild steel zinc plated construction
- Bolts directly to tank or hopper leg and floor

DESCRIPTION:

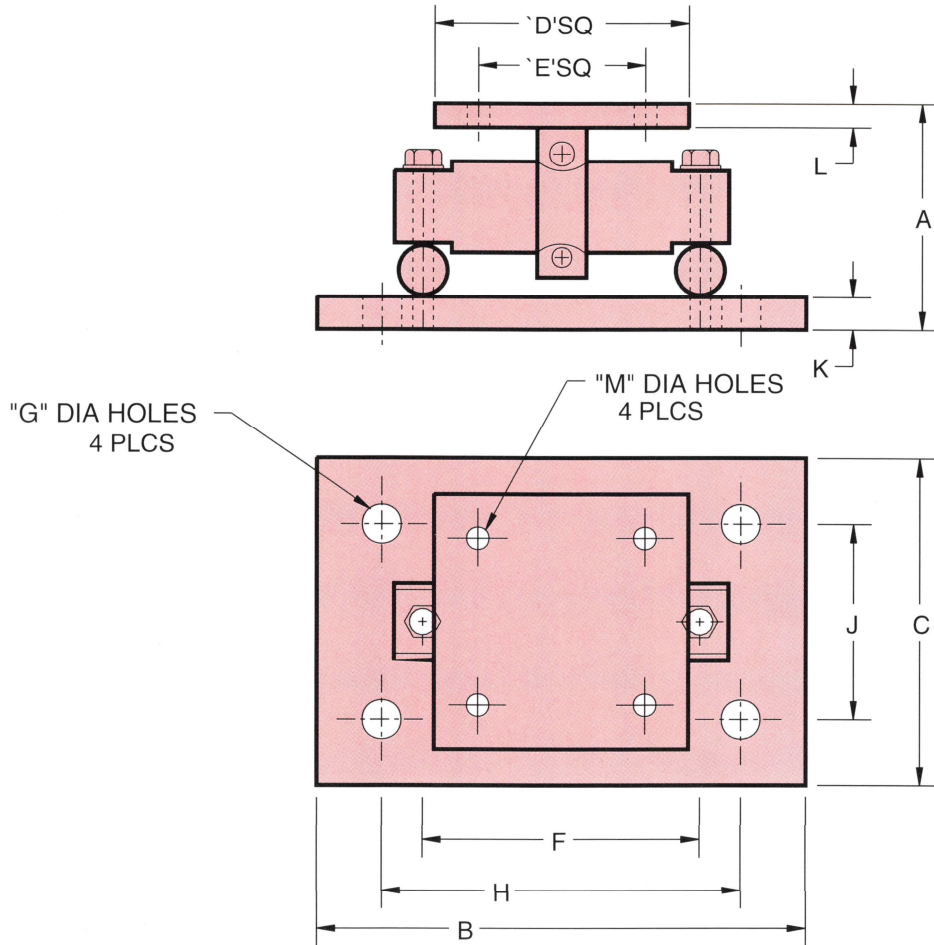
The WM-II Weighing Module is designed to utilize double ended shear beams for tank and hopper weighing. The module is available in either mild steel (WM-II) or stainless steel (SSWM-II). Loading of the cell is through a collar assembly that protects the cell from side load induced errors caused by tank or hopper expansion. This design also "locks" the tank or hopper to the weigh module thereby eliminating the need for check rods in most applications. The WM-II is designed to use the Artech 70210 or SS70210 load cells.



Model WM-II



CAPACITY LBS.	* L/C USED	MODEL NO.	A	B	C	D SQ	E SQ	F	G	H	J	K	L	M
5K - 20K	70210/SS70210	WMII-A,SSWMI-A	5.31	11.0	7.00	5.50	3.00	6.875	1.06	8.00	4.00	0.75	0.50	0.56
30K - 60K	70210/SS70210	WMII-B,SSWMI-B	8.43	15.0	10.0	8.00	5.13	8.500	1.19	11.50	6.00	1.00	0.75	0.69
100K - 150K	70210/SS70210	WMII-C,SSWMI-C	10.38	18.0	12.0	10.0	7.50	9.500	1.38	14.00	9.00	1.25	1.25	0.81

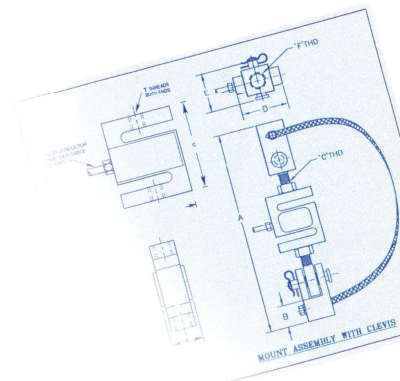


* L/C means load cell.

Represented by:



1966 Keats Drive, Riverside, CA 92501



ORDER INFORMATION

- ◆ ARTECH is dedicated to maintaining adequate inventories of its Load Cells to provide the best service in the industry.
- ◆ Order by the model number and indicate the capacity required.

- ◆ Custom services such as matched load cell outputs, special threading, and custom calibrations are available on an optional basis at an extra cost.

Let us know what you need... we listen!
QUALITY • PERFORMANCE • SERVICE

• (951) 276-3331 • (800) 654-8181 • Fax: (951) 276-4556 •
 Email: info@artechindustriesinc.com • www.artechindustriesinc.com