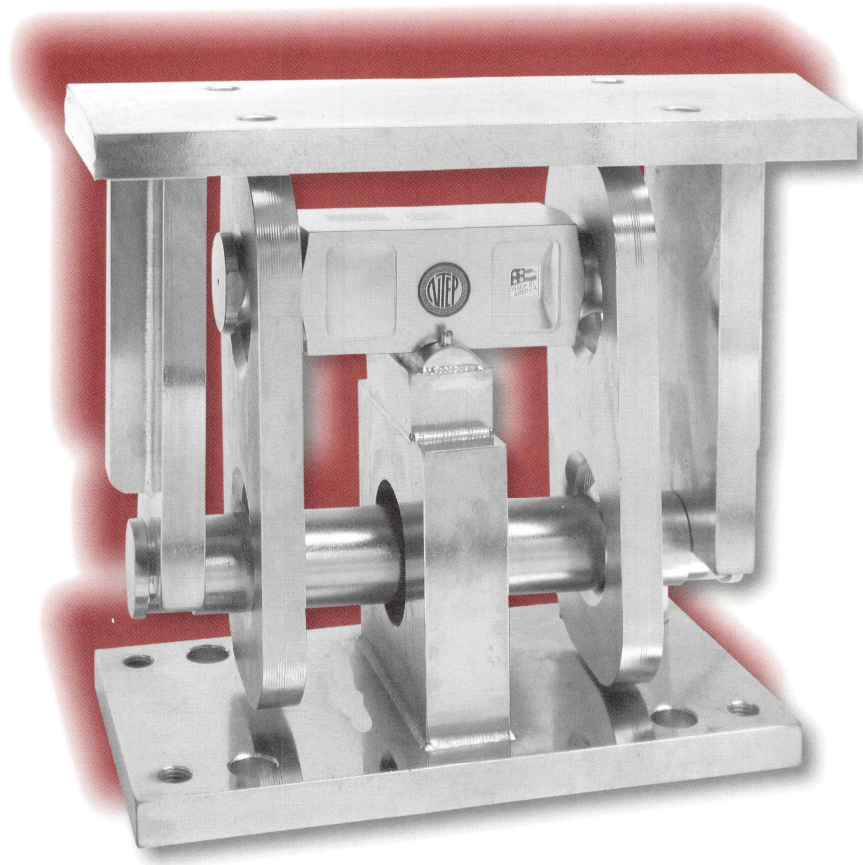




"a preferred name in load cell technology"

Model WM-III



Designed To Utilize Double Ended Beams for Truck/Track Weighing

FEATURES:

- 20k to 200k pound capacities
- Available using forge links or Artech's high strength machined link
- Mild steel zinc plated construction
- WM-III A,B & C is used with 80210 load cell
- WM-III D, E & F is used with 80310 load cell

DESCRIPTION:

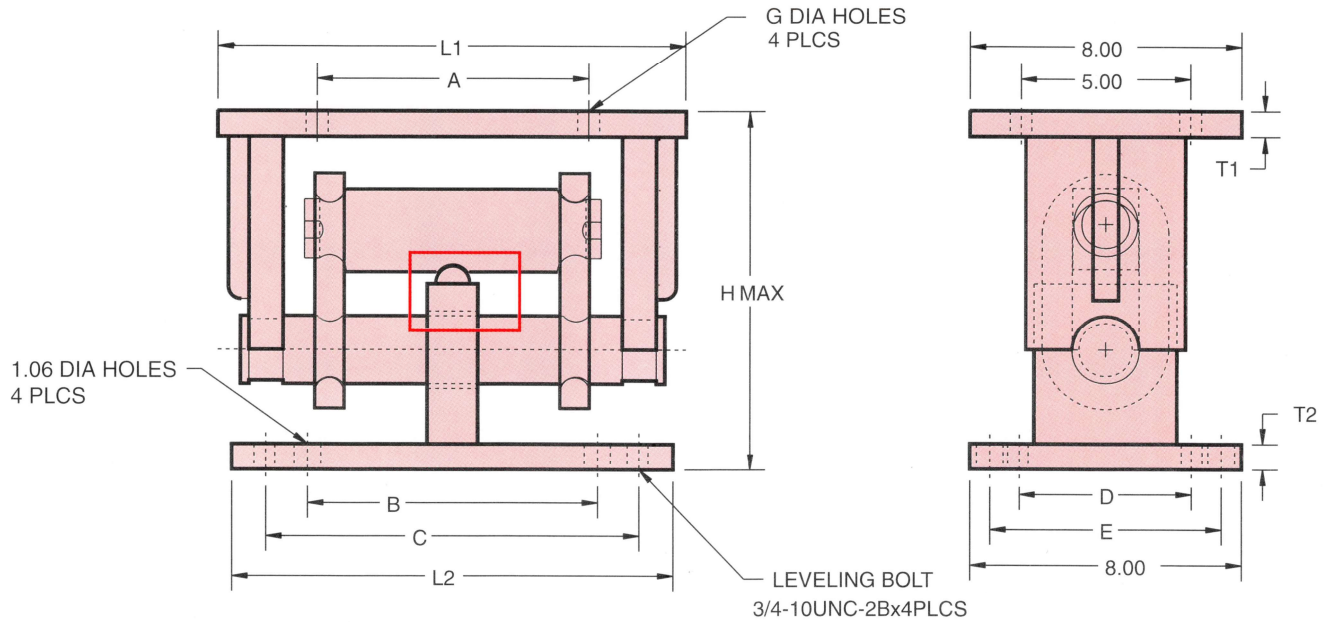
The WM-III Weighing Module is designed to utilize double ended shear beams for Truck/Track weighing. The weigh module is available in mild steel. Loading links are available in forge links up to 50k capacities. But for large capacities Artech machined links are highly recommended. It is made out of the same alloy steel as the load cell and treated the same as the load cell. Thus minimizing the wear & tear on the load cell and maximizing the final strength.



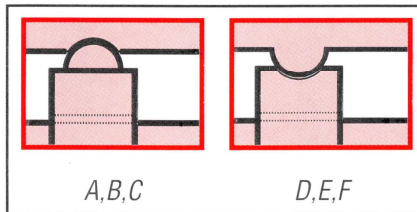
Model WM-III



CAPACITY LBS.	LOAD CELL	MODEL NO.	A	B	C	D	E	G DIA	H MAX	L1	L2	T1	T2
20K - 60KSE	80210	WMIII-A,SSWMIII-A	8.00	8.00	11.50	6.00	6.00	.690	10.50	13.00	13.00	0.75	0.75
50K - 150K	80210	WMIII-B,SSWMIII-B	10.00	11.00	14.00	5.00	6.50	.890	15.50	17.50	15.50	1.00	1.00
200K	80210	WMIII-C,SSWMIII-C	10.00	11.00	14.00	5.00	6.50	.890	17.50	21.00	15.50	1.25	1.25
20K - 60KSE	80310	WMIII-D,SSWMIII-D	8.00	8.00	11.50	6.00	6.00	0.690	10.50	13.00	13.00	0.75	0.75
50K - 75K	80310	WMIII-E,SSWMIII-E	10.00	11.00	14.00	5.00	6.50	0.890	15.50	17.50	15.50	1.00	1.00
90K - 150K	80310	WMIII-F,SSWMIII-F	10.00	11.00	14.00	5.00	6.50	0.890	17.50	21.00	15.50	1.25	1.25



Enlarged View:



Represented by:



1966 Keats Drive, Riverside, CA 92501

ORDER INFORMATION

- ◆ ARTECH is dedicated to maintaining adequate inventories of its Load Cells to provide the best service in the industry.
- ◆ Order by the model number and indicate the capacity required.

- ◆ Custom services such as matched load cell outputs, special threading, and custom calibrations are available on an optional basis at an extra cost.

Let us know what you need... we listen!
QUALITY • PERFORMANCE • SERVICE

• (951) 276-3331 • (800) 654-8181 • Fax: (951) 276-4556 •
 Email: info@artechindustriesinc.com • www.artechindustriesinc.com

